

my way

sedus



A hallmark of successful people is their ability to stay true to themselves, their unerring belief in those values which are important to them and a commitment to going their own way. Success is truly individual – it cannot be achieved by imitation or following in others' footsteps.

The outstanding comfort of my way, as a swivel and conference chair, is for all those who have the courage to go their own way every day. The chair's visual harmony and proportion is an expression of confidence and sovereignty.

my way stands for success: well above the average and norm. In every aspect.



If you're at the top of your game,
you deserve a seat to match: my way.




A black office chair with a high back and a five-star base on casters. The chair is shown from a side profile, facing right. The backrest is tall and slightly curved. The seat is wide and has a slight curve. The base is a five-pointed star shape with casters. The chair is set against a light blue background.

With my way, the designer Michael Kläsener has created a comfortable and unconventional seating range which meets even the toughest of demands. The design is as uncomplicated and straightforward as its owner. my way: in command and unmistakable, striking and prestigious, modern and full of surprises.

Design: Michael Kläsener

A chair to match its owner.
Interesting and in command.



A black leather office chair with a high backrest and a headrest, mounted on a five-star chrome base with casters. The chair is positioned in a bright, minimalist office space with white walls and a reflective floor. In the background, there is a wooden desk with a white base and a cabinet with a glass door. The ceiling features dark, horizontal beams.

Optimise, rationalise, restructure. Life in the boardroom is tough – that's why we have created a chair which meets the need for comfort, outstanding design and elegance.

For expressive personalities.
Full of character.






Conferences without compromises

An uncompromisingly good conference chair: my way makes even long conferences a pleasure to attend. The flexible support, great freedom of movement and the chromed swivel base with castors ensure unbeatable comfort, dynamism and elegance.





The swivel chair offers first-class comfort and dynamism. The large opening angle allows you to sit back, relax and relish the synchronised movement of the seat, backrest and integrated armrests.

Sit back and relax in the driving seat.



The conference chair is inspired by the elegant design of executive chairs. Just as with the swivel chair, the armrests move in tandem with the backrest.

To ensure sufficient space in conference systems, the armrests of the conference chair are more slim line to preserve elegance and style when used in row formation.



High-quality upholstery finish.



Height-adjustable headrest on a chromed support.



Backrests

Comfortably upholstered, medium backrest or 80 mm higher backrest.

Similar mechanism

The harmoniously coordinated movement of the seat, armrests and backrest not only ensures optimal support but also encourages dynamic sitting. Extra large opening angle of 32 degrees, almost infinitely lockable. Backrest pressure can be individually set.

Seat height adjustment

Sedo-Lift mechanism for optimal seat-depth springing.

Armrests

Integrated armrests with soft upholstered leather finish.

Headrest

Headrest with soft upholstery, which can be adjusted in height by 50 mm for the model with high backrest.

Lumbar support

Well shaped, height- and depth-adjustable lumbar support.

Visual features

10 shades of leather, a variety of fabrics, four five-star base designs, castors with a diameter of 65 mm, chromed version with chromed five-star base.

Conference swivel chair

With flexible backrest and seat-depth springing. Leg frame with four arms, rotating column and automatic return movement. Five-star base with castors and fixed column is optionally available.

	Swivel chair with medium backrest	Swivel chair with high backrest	Swivel chair with headrest	Conference swivel chair
Seat mechanism				
Similar mechanism	●	●	●	
Backrest technology				
Adjustable backrest pressure	●	●	●	
Height- and depth-adjustable lumbar support	●	●	●	
Seat height adjustment				
Sedo-Lift mechanism	●	●	●	
Automatic return movement				○
Frame versions				
Aluminium base, chromed	●	●	●	●
Aluminium base, powder-coated in white aluminium	○	○	○	○
Aluminium base, powder-coated in black	○	○	○	○
Aluminium base, polished	○	○	○	○
Model colour/plastic parts				
Black	●	●	●	●
Armrests				
Armrests with leather finish	●	●	●	●
Features				
Large seat	○	●	●	
Hard castors for soft floors	●	●	●	○
Soft castors for hard floors	○	○	○	○
Stainless steel glides				●
Felt glides				○

● standard ○ optional

Elegance and comfort in every model



Swivel chair with medium backrest



Swivel chair with high backrest



Conference swivel chair on castors



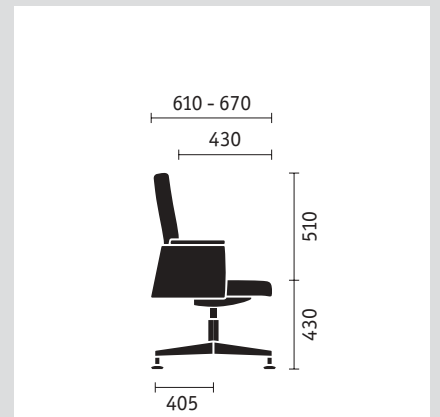
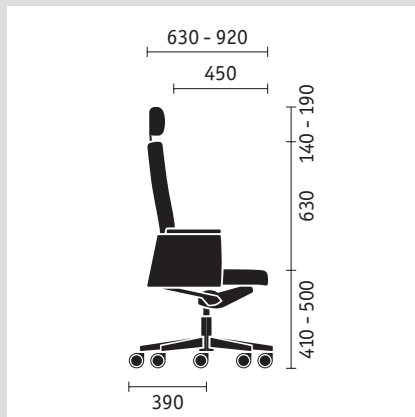
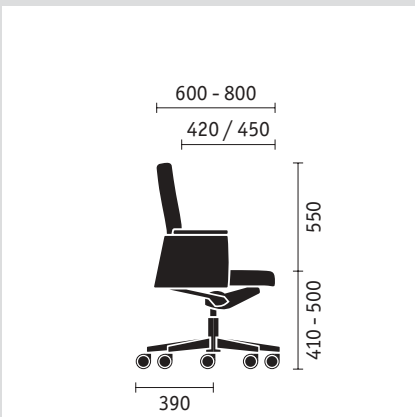
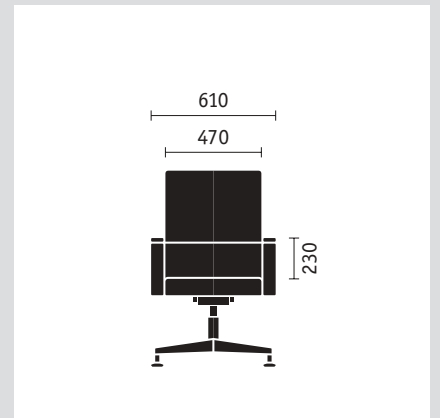
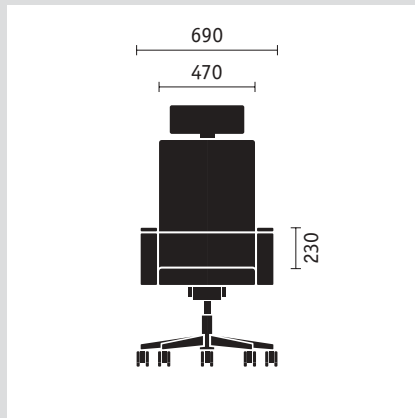
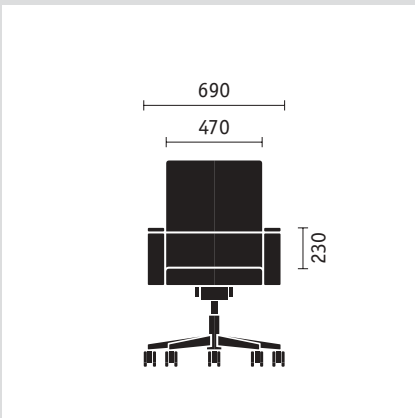
Swivel chair with medium backrest



Swivel chair with high backrest and head pillow



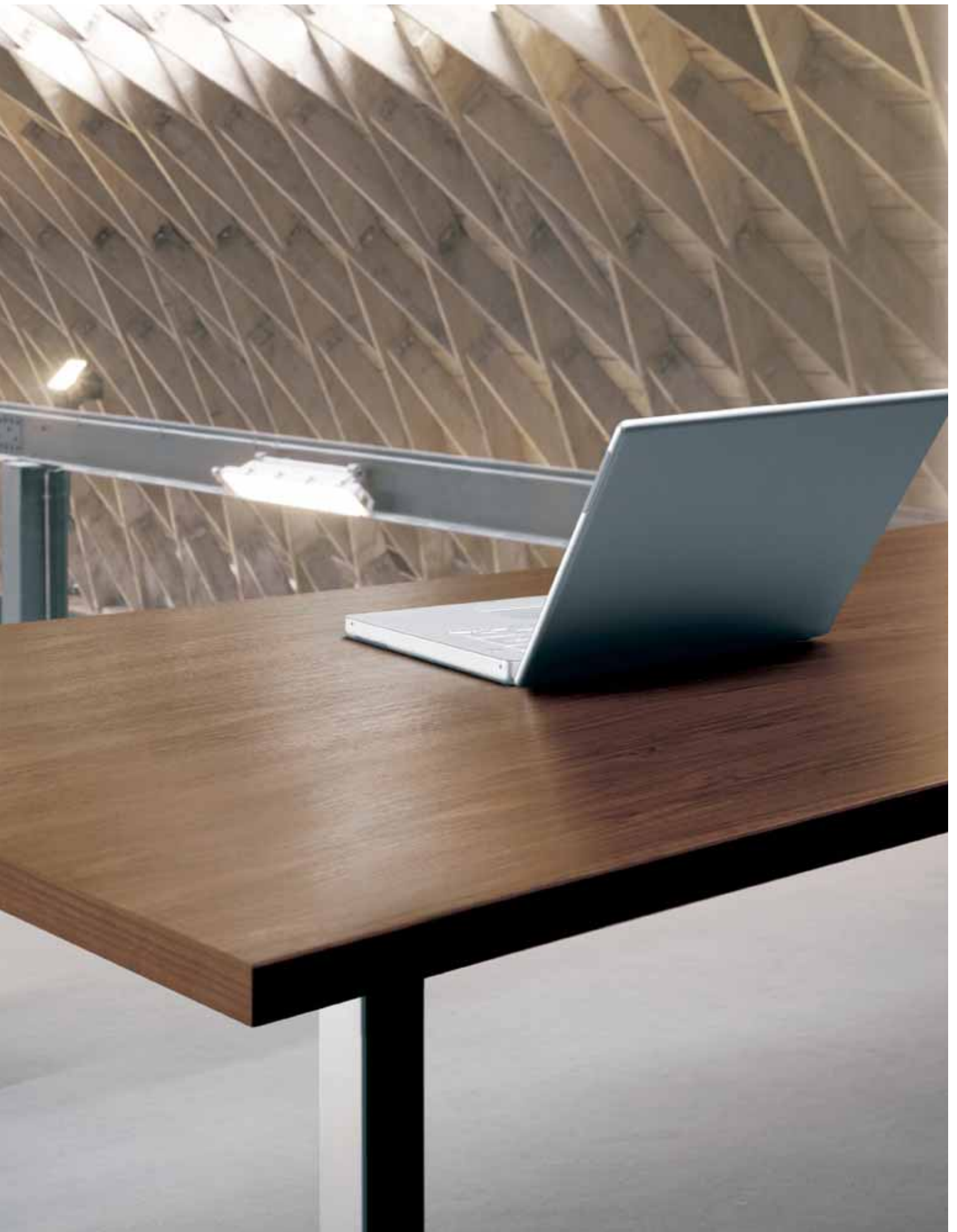
Conference swivel chair on glides



Dimensions (in mm) for overall height, width, depth, seat height, width, depth, as well as backrest and armrest height from seat.



Management. Ideas. Decisions.
One clear step ahead.



Export

Sedus Stoll AG
Brueckenstrasse 15
D-79761 Waldshut
Tel. +49 (77 51) 84-2 89
Fax +49 (77 51) 84-3 30
E-Mail export@sedus.com
Internet www.sedus.com

Austria

Sedus Stoll Ges.m.b.H.
Koestendorferstraße 16
A-5202 Neumarkt a. W.
Tel. +43 (6216) 44 94-0
Fax +43 (6216) 71 84
E-Mail sedus.at@sedus.at
Internet www.sedus.at

Belgium

Sedus Stoll b.v.b.a./s.p.r.l.
Korte Masmensesteenweg 58/7
B-9230 Wetteren
Tel. +32 9 369 96 14
Fax +32 9 368 19 82
E-Mail sedus.be@sedus.com
Internet www.sedus.be

France

Sedus
2, rue de la Baume
F-75008 Paris
Tel. +33 1 53 77 20 50
Fax +33 1 53 77 20 51
E-Mail commercial@sedus.fr
Internet www.sedus.fr

Great Britain

Sedus Stoll Ltd.
157A St John Street, Clerkenwell
London EC1V 4DU
Tel. +44 20 7566 3990
Fax +44 20 7566 3999
E-Mail sedus.uk@sedus.co.uk
Internet www.sedus.co.uk

Italy

Sedus Stoll S.r.l.
Via Giotto, 20/22
I-22075 Lurate Caccivio (CO)
Tel. +39 031.494.111
Fax +39 031.494.140
E-Mail sedus.it@sedus.com
Internet www.sedus.it

Netherlands

Sedus Stoll B.V.
Rhijnspoor 239
NL-2901 LB Capelle aan den IJssel
Tel. +31 10-521 41 88
Fax +31 10-521 31 89
E-Mail sedus.nl@sedus.com
Internet www.sedus.com

Spain

Sedus Stoll, S. A.
C./Pintor Juan Gris N° 5, 1°C
E-28020 Madrid
Tel. +34 91/597 01 76
Fax +34 91/597 22 65
E-Mail sedus.es@sedus.com
Internet www.sedus.es

Switzerland

Sedus Stoll AG
Industriestrasse West 24
CH-4613 Rickenbach
Tel. +41 62/216 41 14
Fax +41 62/216 38 28
E-Mail sedus.ch@sedus.ch
Internet www.sedus.ch