

concept one

sedus





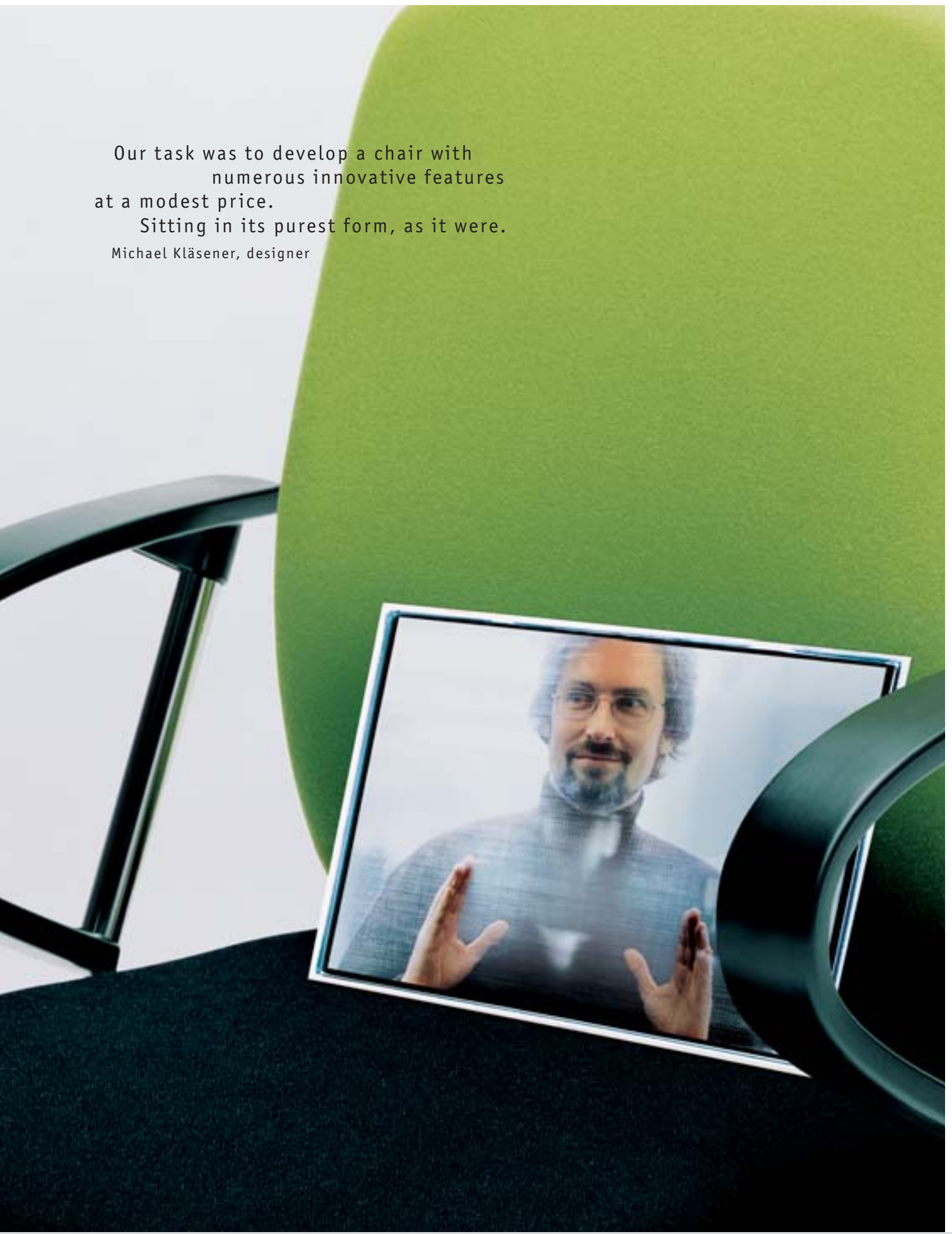
With its unassuming yet modern silhouette, concept one is a martinet amongst office swivel chairs. A chair that possesses everything that goes to make the Sedus sitting experience – but the great thing about concept one is that it makes sitting a real pleasure, at a very comfortable price.

An ideal opportunity to  
relax your back – affordably.

Our task was to develop a chair with  
numerous innovative features  
at a modest price.

Sitting in its purest form, as it were.

Michael Kläsener, designer





#### **Basic armrests**

Plastic armrests with large resting surfaces comfortable to the touch (see upper picture).

#### **3D armrests**

Adjustable for height and depth. If pushed forwards the rests follow a curved path inwards. This gives the user's forearms ideal support at a keyboard (see lower picture).



Chairs are measured in height, width and depth ...  
... and sitting pleasure.



**“Similar” mechanism**

The “Similar” mechanism with the individually adjustable spring-force tension control supports the back perfectly in every work posture. For optimum relief of the spinal column.

**Backrest**

The fabric-covered backrest creates a homely feeling. It is height-adjustable, has breathable upholstery and provides perfect ergonomics and tremendous sitting comfort.



**4-leg model**

The user is invited to sit down and feel at home by the visitor chair as well. It comes as standard with steel frame powder-coated in black, optionally powder-coated in white aluminium or chrome-plated – also stackable. Available with or without armrests.

It's not only a chair.  
It's an invitation to sit down and feel at home.

**Seat with contoured shell**

The anatomically shaped seat with contoured shell allows an ideal sitting posture. The seat depth springing provides a softer suspension when seating down – even at the lowest setting. This prevents compression of the vertebrae.

**Sliding seat and seat tilt**

On request concept one can be supplied with a seat-depth adjustment of 50 mm and seat tilt of 4 degrees.

**Visual features**

concept one is available with over 100 different fabrics, 10 shades of leather and four five-star base designs.

**Base versions**

For an optimum range of movement, plastic bases with a castor diameter of 50 mm or aluminium bases in black, white aluminium or polished with a castor diameter of 65 mm are available.

**Dimensions**

Height-adjustable backrest, sliding seat (adjustment range 50 mm).

**“Similar” mechanism**

“Similar” mechanism with individual spring-force tension control for dynamic sitting.

**Backrest**

This is adjustable for height and backrest pressure.

**Seat with contoured shell**

The anatomically shaped seat with contoured shell provides an ergonomic sitting posture.

**Seat tilt and sliding seat**

The seat can be tilted forwards and adjusted for depth, if desired.

**Armrests**

Basic armrests, 3D armrests.

**Visual features**

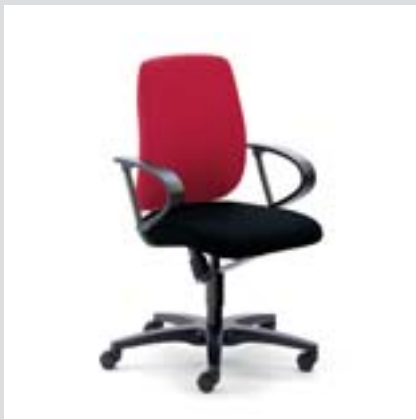
10 shades of leather,  
over 100 covering fabrics,  
4 five-star base designs.

Every little detail  
works towards your comfort.

Swivel chairs



Swivel chair



Swivel chair with basic armrests



Swivel chair with 3D adjustable armrests

4-leg models



4-leg model

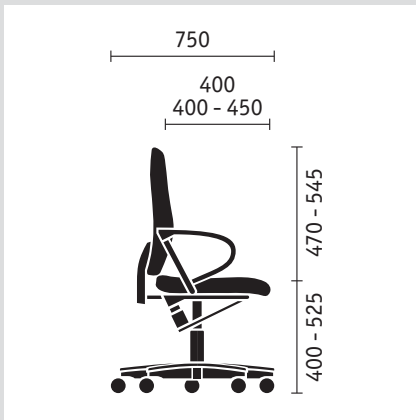
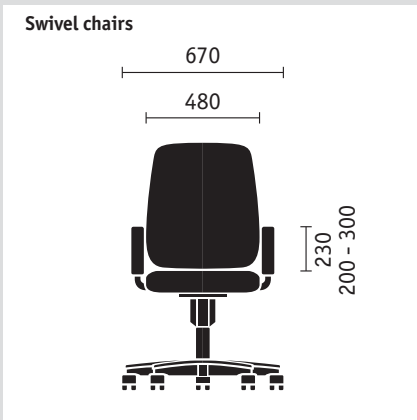


4-leg model with armrests

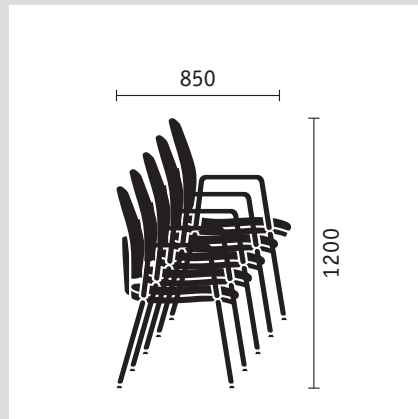
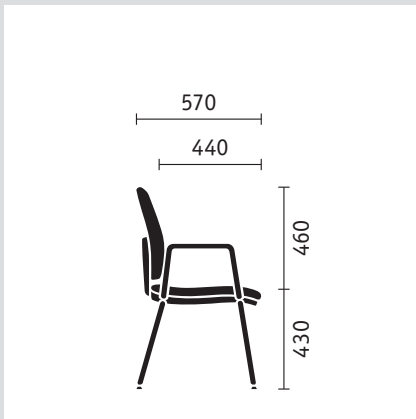
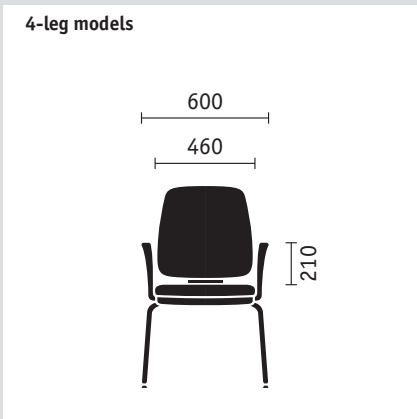


4-leg model stackable as standard

Swivel chairs



4-leg models



Dimensions (in mm)

For overall height, width, depth, seat height, width, depth, backrest height and armrest height from seat.  
 For chair stacks, the maximum height and depth are shown.

	Swivel chairs	4-leg models
<b>Seat adjustment mechanisms</b>		
"Similar" mechanism	●	
"Similar" mechanism with seat tilt adjustment	○	
<b>Seat height adjustment</b>		
Gas lift with mechanical depth-springing	●	
Gas lift mechanism	○	
<b>Base versions</b>		
Plastic base in black	●	
Aluminium base in black, white aluminium or polished	○	
Steel base, powder-coated in black		●
Steel base, powder-coated in white aluminium		○
Steel base, chrome-plated		○
<b>Model colour / Plastic parts</b>		
Black	●	●
<b>Armrests</b>		
Without armrests	○	○
Basic plastic armrests with steel support in black or white aluminium (coated as base)	●	
Basic plastic armrests with steel support, chrome-plated and polished base	○	
3D adjustable plastic armrests, with Softtouch or leather covers	○	
Armrests with integral foam		●
<b>Features</b>		
Sliding seat (with 50 mm depth adjustment)	○	
Two-tone upholstery	○	○
Hard castors for soft floors	●	
Soft castors for hard floors	○	
Plastic glides		○
Felt glides		○
Stackable (with or without armrests) up to 5 high		●

● standard ○ optional





**Export**

Sedus Stoll AG  
Brueckenstrasse 15  
D-79761 Waldshut  
Tel. +49 (77 51) 84-2 89  
Fax +49 (77 51) 84-3 30  
E-Mail [export@sedus.com](mailto:export@sedus.com)  
Internet [www.sedus.com](http://www.sedus.com)

**Austria**

Sedus Stoll Ges.m.b.H.  
Kirchenstrasse 37/1/13  
A-5301 Eugendorf  
Tel. +43 (6225) 21 054-0  
Fax +43 (6225) 21 056  
E-mail [sedus.at@sedus.at](mailto:sedus.at@sedus.at)  
Internet [www.sedus.at](http://www.sedus.at)

**Belgium**

Sedus Stoll b.v.b.a./s.p.r.l.  
Korte Masmensesteenweg 58/7  
B-9230 Wetteren  
Tel. +32 9 369 96 14  
Fax +32 9 368 19 82  
E-Mail [sedus.be@sedus.com](mailto:sedus.be@sedus.com)  
Internet [www.sedus.be](http://www.sedus.be)

**France**

Sedus  
2, rue de la Baume  
F-75008 Paris  
Tel. +33 1 53 77 20 50  
Fax +33 1 53 77 20 51  
E-Mail [commercial@sedus.fr](mailto:commercial@sedus.fr)  
Internet [www.sedus.fr](http://www.sedus.fr)

**Great Britain**

Sedus Stoll Ltd.  
157A St John Street, Clerkenwell  
London EC1V 4DU  
Tel. +44 20 7566 3990  
Fax +44 20 7566 3999  
E-Mail [sedus.uk@sedus.co.uk](mailto:sedus.uk@sedus.co.uk)  
Internet [www.sedus.co.uk](http://www.sedus.co.uk)

**Italy**

Sedus Stoll S.r.l.  
Via Giotto, 20/22  
I-22075 Lurate Caccivio (CO)  
Tel. +39 031.494.111  
Fax +39 031.494.140  
E-Mail [sedus.it@sedus.com](mailto:sedus.it@sedus.com)  
Internet [www.sedus.it](http://www.sedus.it)

**Netherlands**

Sedus Stoll B.V.  
Rhijnspoor 239  
NL-2901 LB Capelle aan den IJssel  
Tel. +31 10 521 41 88  
Fax +31 10 521 31 89  
E-Mail [sedus.nl@sedus.com](mailto:sedus.nl@sedus.com)  
Internet [www.sedus.nl](http://www.sedus.nl)

**Spain**

Sedus Stoll, S. A.  
Avda. de Manóteras, 28-1ª planta  
E-28050 Madrid  
Tel. +34 91/597 01 76  
Fax +34 91/597 22 65  
E-Mail [sedus.es@sedus.com](mailto:sedus.es@sedus.com)  
Internet [www.sedus.es](http://www.sedus.es)

**Switzerland**

Sedus Stoll AG  
Industriestrasse West 24  
CH-4613 Rickenbach  
Tel. +41 62/216 41 14  
Fax +41 62/216 38 28  
E-Mail [sedus.ch@sedus.ch](mailto:sedus.ch@sedus.ch)  
Internet [www.sedus.ch](http://www.sedus.ch)